



# QXS 56-Drive Rackmount Install Guide

---

This document contains the following topics:

Before You Begin .....	2
Rail Installation: 56-Drive Chassis .....	3
Install and Secure the Chassis .....	8
Next steps .....	12



---

# Before You Begin

- These instructions are for the following systems:
  - QXS-456
  - QXS-656
  - StorNext QXS-5600
- The person using these instructions must be qualified to service and install storage products.

## Required Tools

Required tools include:

- #2 Phillips screwdriver
- Antistatic protection devices

## Rackmount Bracket Kit Hardware

Use fasteners that pertain to your rack type.

Code	Part description	Qty
<b>Rails and brackets</b>		
-	Left rail (front sleeve with rear insert)	1-ea.
-	Right rail (front sleeve with rear insert)	1-ea.
<b>Screws</b>		
A	#8-32 x 3/8, FH, PLP2, SS	6
B	#10-32 x 3/4, Truss, PLP SS; or M5 x 10, PH, PLP2, SS; or M6 x 10, PH, PLP2, SS; or #12-24 x 3/8, PH, PLP, SS	8

Code	Part description	Qty
C	#10-32, Shoulder, Round hole mtg; or #10-32, Shoulder, Square hole mtg; or #10-32 x 0.319, FH100, PLP2, SS; or M5 x 8.4, FH, PLP2, SS; or M6 x 9.4, FH, PLP2, SS; or #12-24 x 0.354, FH100, PLP2, SS	8
D	#10-32 x 0.217, FH100, PLP2, SS	3
<b>Nuts</b>		
E	#10-32, STL - Cage Nut; or #10-32, UNF - Clip Nut	4

**Note:** Do not install drive modules until the chassis is securely mounted in the rack.

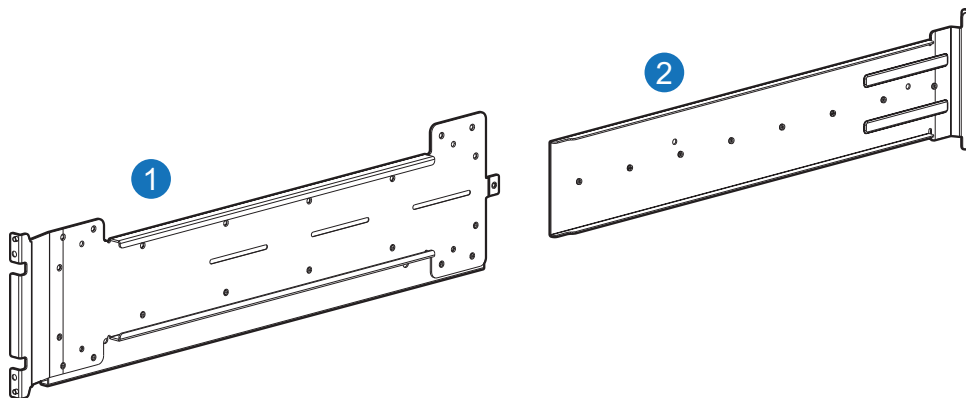
## Rail Installation: 56-Drive Chassis

**Note:** The two rail kit installation images immediately following show the left and right rails viewed from the front and looking rearward. An assembly and an exploded view is provided for each rail.

Complete steps 1–8 to install the rails.

1. Slide the rear rail insert (2) into the front rail sleeve (1).

**Figure 1:** Rail components



1. Front rail sleeve
2. Rear rail insert

2. To determine the chassis depth required by the rails, fit the rail assembly to the rack and note which tapped holes in the rear rail inserts align with the slotted holes on front rail sleeves. If cage nuts are pre-installed, remove them.
3. Using that information, select two or three #8-32 x 3/8 flathead Phillips screws (depending on your chassis depth) to loosely attach the rear rail insert to the front rail sleeve. You will tighten the screws later.

---

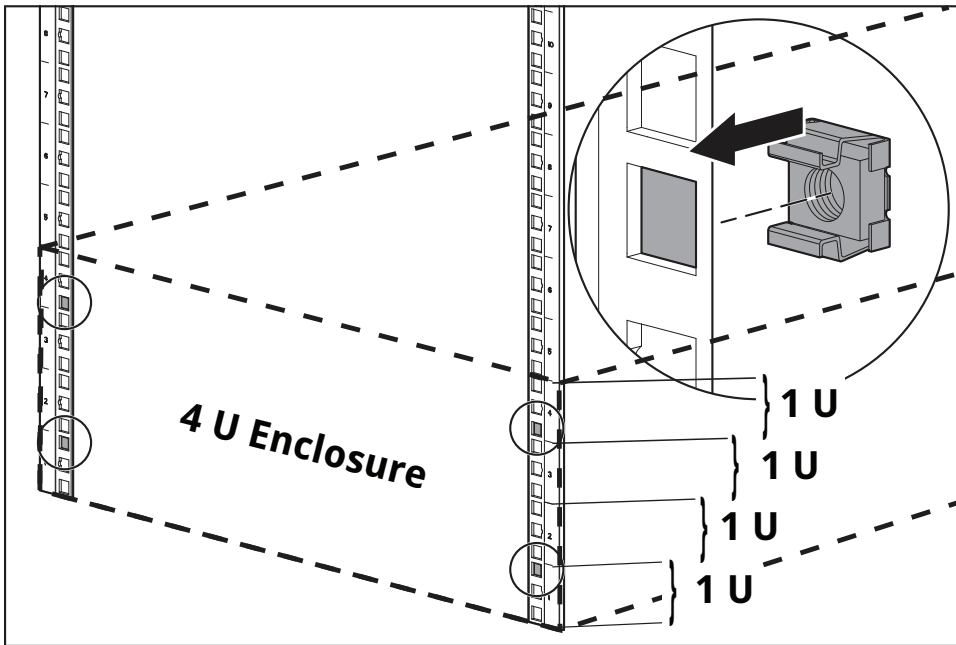
**i Note:** The screw part number is: **Screw code A - P/N: 021-0000262-00-01.**

4. For square-hole racks, front cage nuts must be installed four holes away from centerline of 4U space. For round-hole racks, use clip nuts instead.

---

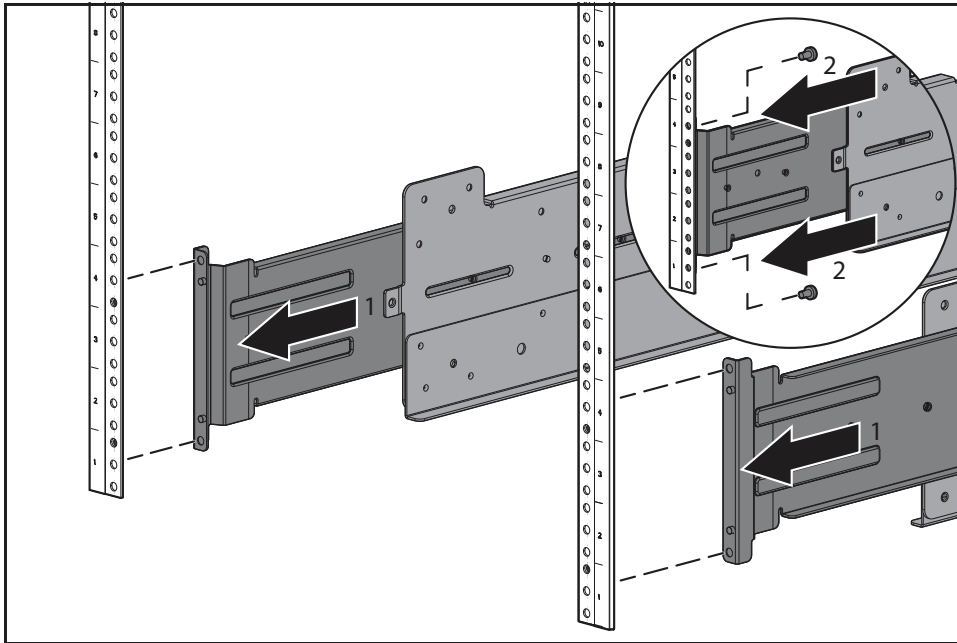
**i Note:** If using cage nuts or clip nuts, install them at the same square hole elevations—two per column—on all four rack posts.

**Figure 2:** Installing cage nuts/clip nuts



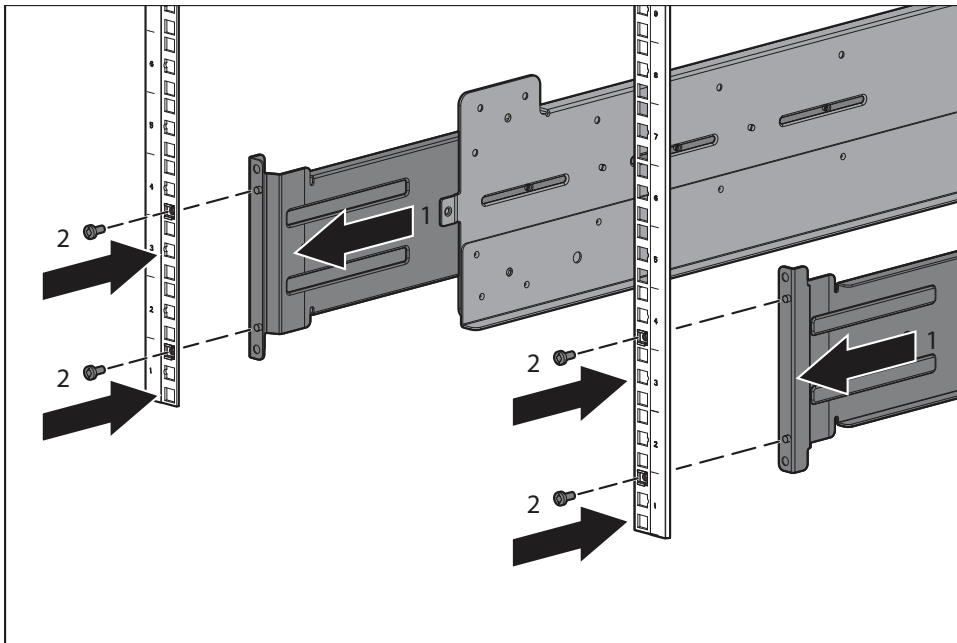
5. Depending upon rack type, use two #10-32 x 3/4 truss Phillips screws or #12-24 x 3/8 Phillips screws or appropriate metric (5 or 6 mm) panhead screws to attach the rear rail assembly to the rear of the rack.
  - For pre-tapped screw racks, use two flathead screws of the appropriate size (#10-32, #12-24, M5, or M6) to attach the rear of the rail assembly to the rear of the rack using the two countersunk holes.

**Figure 3:** Pre-tapped screw racks



- For square-hole or round-hole racks, use two shoulder screws of the appropriate size (square-hole shoulder or round-hole shoulder) to attach the rear of the rail assembly to the rear of the rack. Do so by attaching the screws through the two tapped holes on the rear rail.

**Figure 4:** Square-hole or round-hole racks

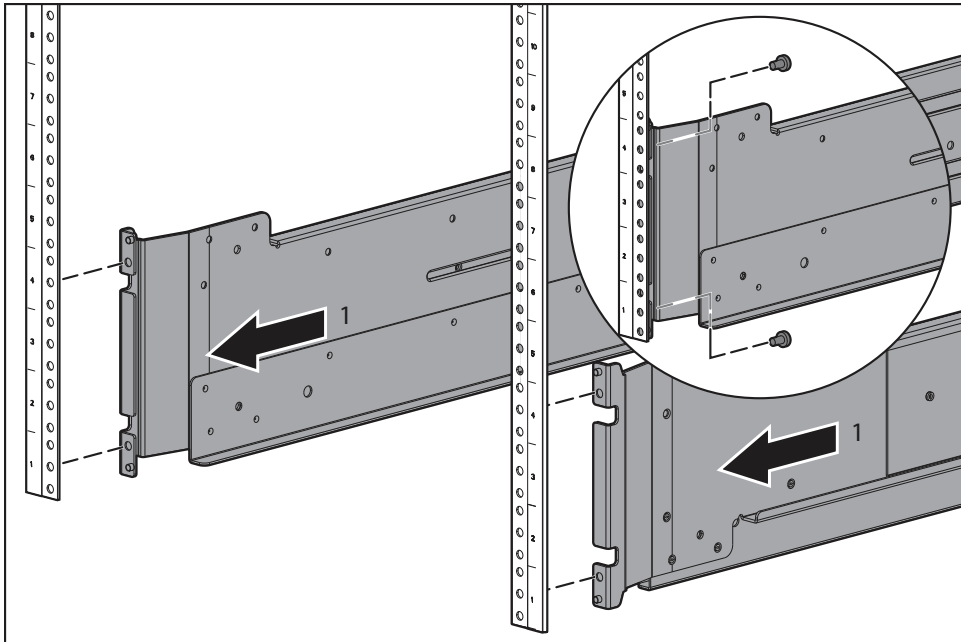


**Note:** While tightening the screws, push the rails outward to maximize the opening width.

6. Do one of the following:

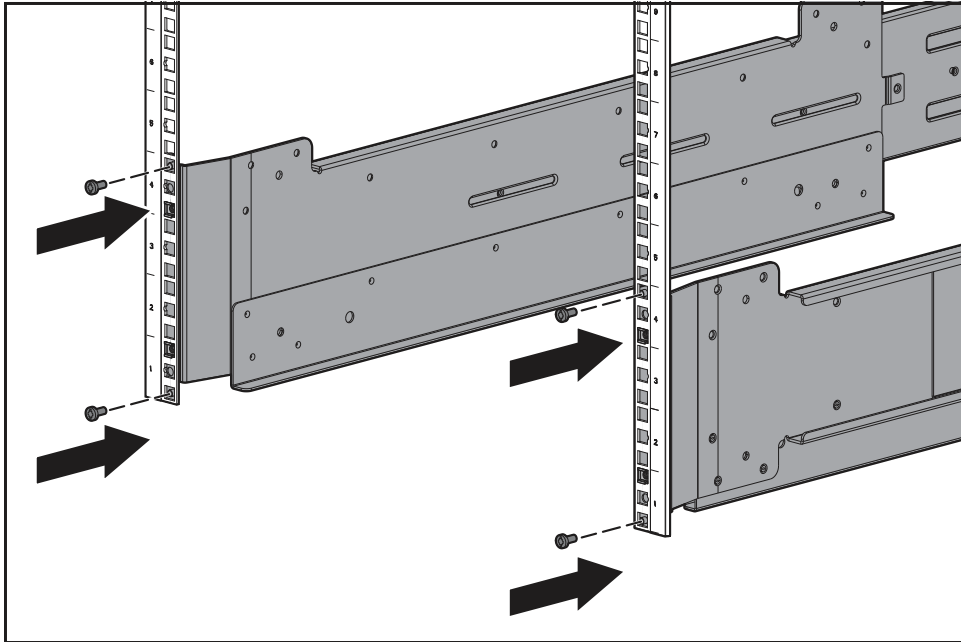
- For a rack with pre-tapped holes, use two flathead screws of the appropriate size (#10-32, #12-24, M5, or M6) to attach the front of the rail assembly to the front of the rack using the two countersunk holes.

**Figure 5:** Rack with pre-tapped holes



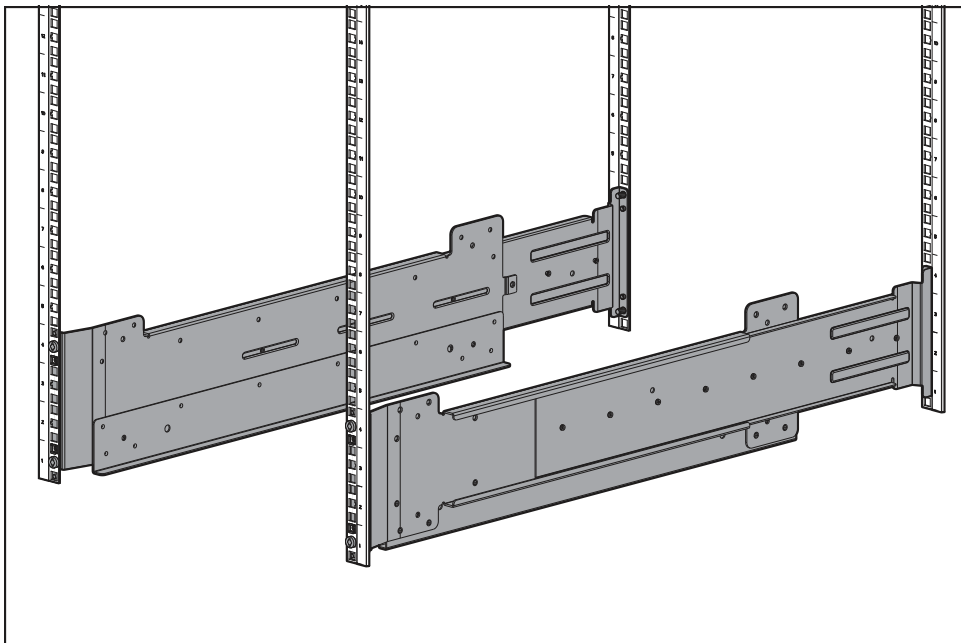
- For square-hole or round-hole racks, use two shoulder screws of the appropriate size (square-hole shoulder or round-hole shoulder) to attach the front of the rail assembly to the front of the rack. Do so by attaching the screws through the two tapped holes on the front rail.

**Figure 6:** Rack with square holes or round holes



7. Tighten the screws that you loosely attached in Step 3.

**Figure 7:** Tighten rack screws



8. Repeat steps 1-7 to secure the other side of the rail kit.

---

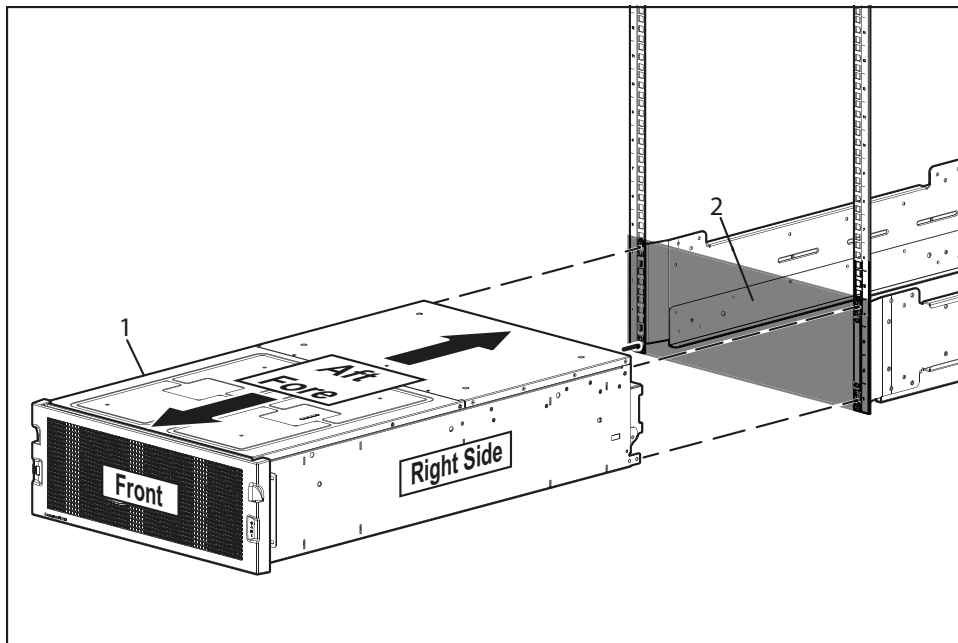
## Install and Secure the Chassis

1. Carefully lift/align the chassis and slide it into the rack. Ensure that the chassis is level.

**⚠ Caution:** Adhere to the following:

- Chassis must be level (parallel to floor).
- Rails might bend if the chassis is not level when inserted.
- Replace the rail if it becomes deformed as a result of inserting the chassis in an unlevel position during installation.
- At least two people, optionally using a mechanical lift, are required to raise and move the chassis into the rack.

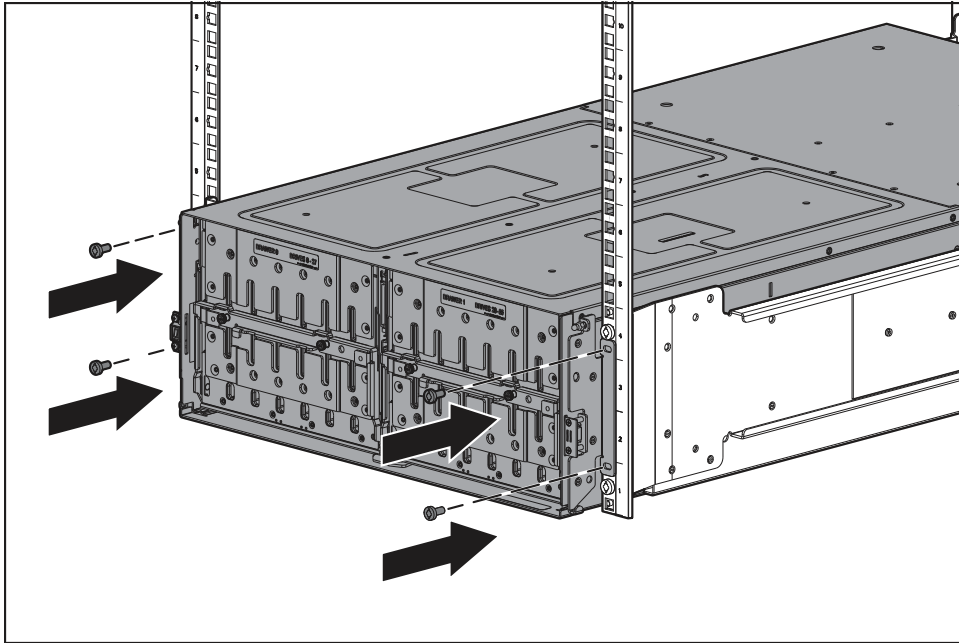
**Figure 8:** Sliding chassis into rack





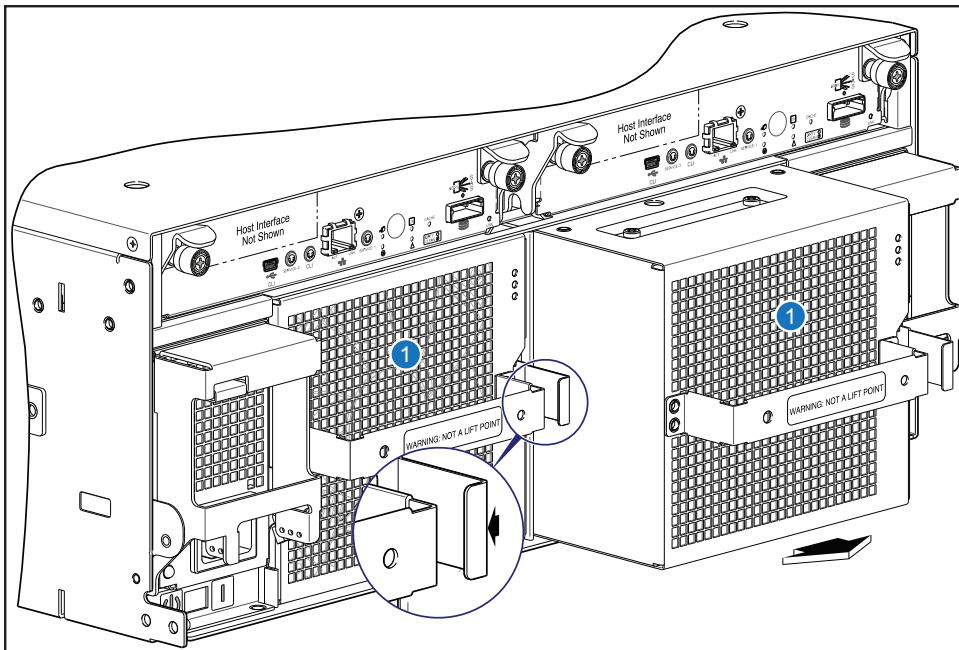
- Using a total of four #10-32 x 3/4 truss Phillips or #12-24 x 3/8 Phillips screws or metric (5 or 6 mm) panhead screws (two per ear), secure the mounting ears on the front of the chassis to the rack face.

**Figure 9:** Securing mounting ears



- Remove both fan modules from the chassis.

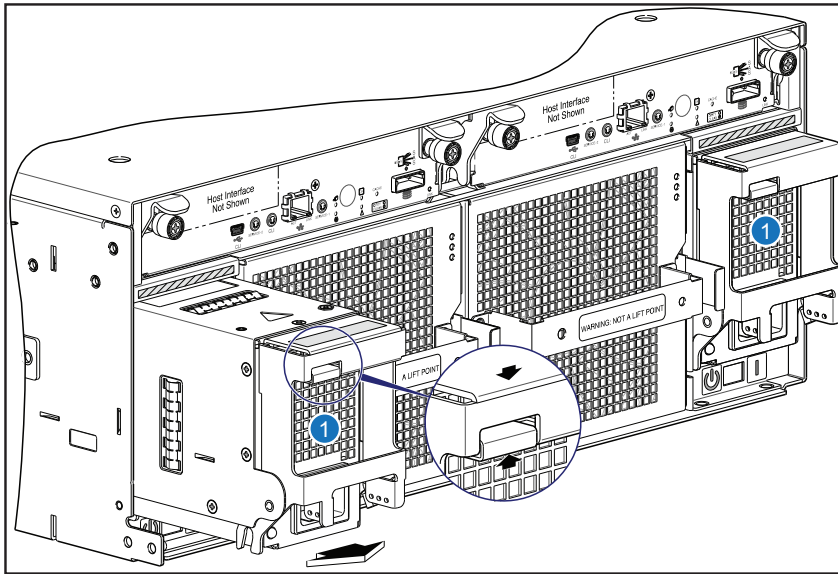
**Figure 10:** Removing fan modules



- Fan modules

4. Remove both power supply units (PSUs) from the chassis.

**Figure 11:** Removing PSUs

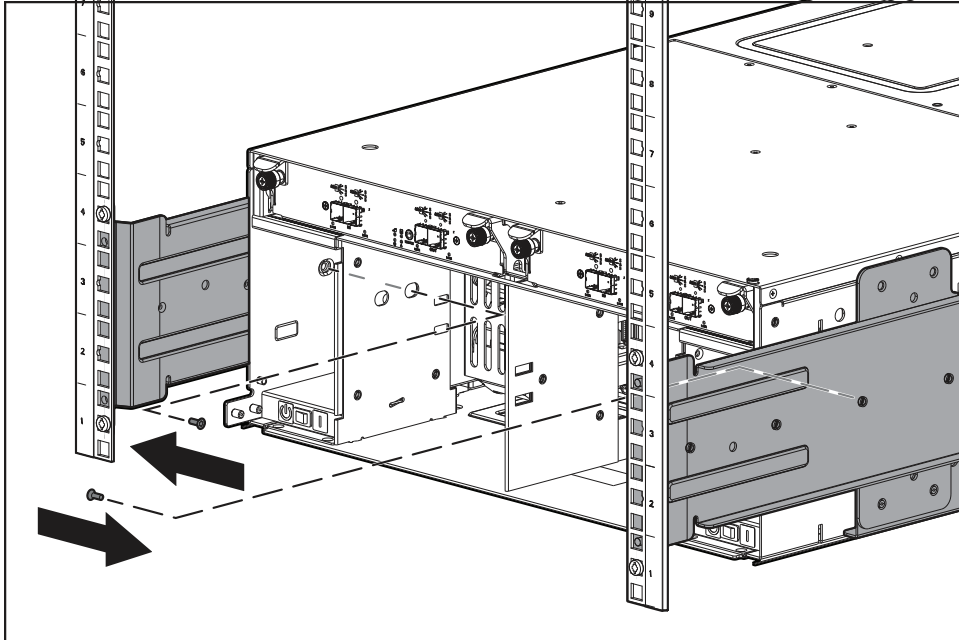


1. Power supply units (PSUs)

5. Insert a screwdriver into the PSU cavity access hole and secure the chassis to the rail using one #10-32 x 0.217 flathead Phillips screw.

Repeat for the other side of the chassis.

**Figure 12:** Securing the rear section of the chassis



6. Re-insert both fan modules and PSUs from the chassis.
7. Ensure the components lock into the chassis. Refer to [Figure 12 above](#).
8. Repeat steps 1–7 for each chassis.

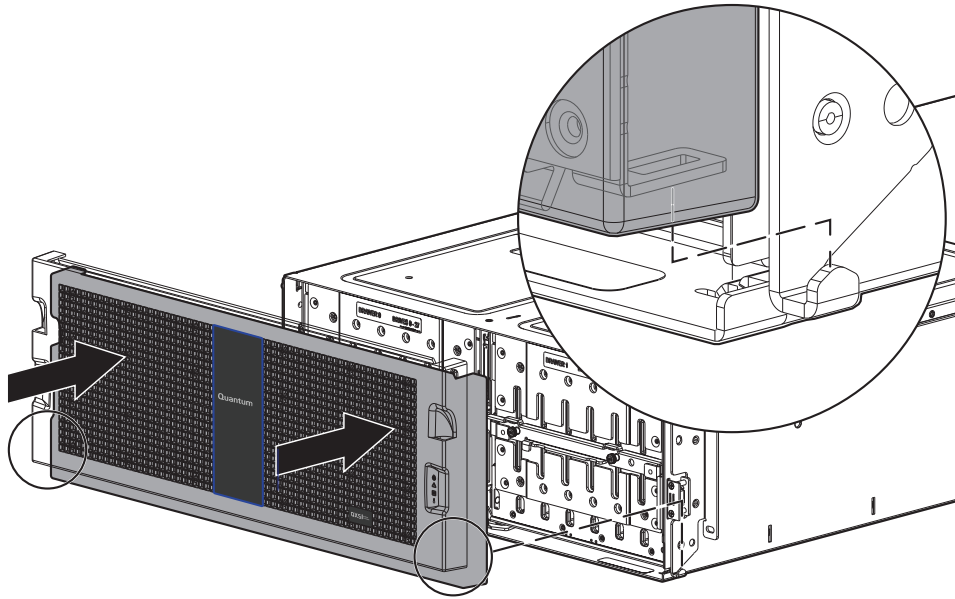
---

# Next steps

Perform the following steps to finish the installation of the storage system components:

1. Install the drives into the drawers as described in the Setup Guide.
2. Install the chassis bezel as described in the Bezel Installation Guide.

**Figure 13:** Installing bezel



---

**i Note:** When the chassis is in operation, the bezel must be attached in order to provide EMI protection for the product.

3. Install any additional options as described in instructions provided with the options.
4. Connect chassis, power up the system, and connect hosts as described in the Setup Guide.
5. Upon successful completion of the hardware installation, use the storage system's web-based management interface to configure and provision the system.

See the [Quantum website](#) for additional information.